



GTK-16

NON-RISING STEM, RESILIENT GATE VALVE

GTK-16 NON-RISING STEM, RESILIENT GATE VALVE



GENERAL FEATURES

Non rising stem resilient gate valves are designed with rubber coated disc to provide excellent sealing features by the resilient deformation of the rubber. This type of gate valve has been developed in order to prevent the problems of general gate valve such as leakage and rusting also to save installation space by its compact design.

Design Gate valves are named because the part that either stops or allows flow through the valve operates like the opening or closing of a gate. Non-rising stem valve has been

designed with a threaded stem which enables the movement of the gate up and down. This type of valves is preferred when a straight line flow and minimum restriction is needed.

Product Features

Body: Ductile Iron GGG 40.3
Disc: Rubber Coated Cast Iron
Gasket: NBREPD
Connection: Flanged

Max. Operating Temp: 80°C
Max. Operating Pressure: 16 bar

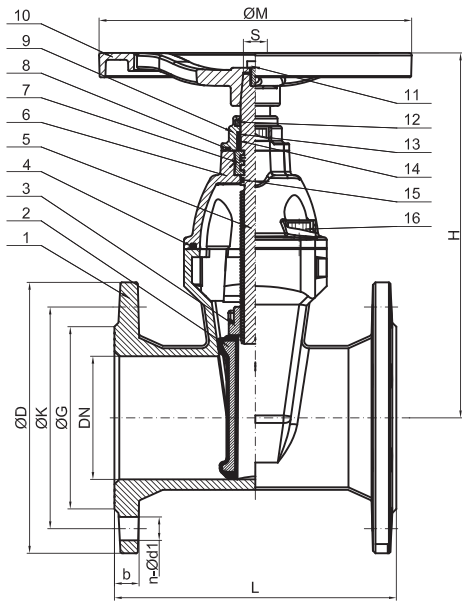
Application Areas

Non-rising stem resilient Gate Valves are used widely in tap water applications and sewage treatment in many industries such as;

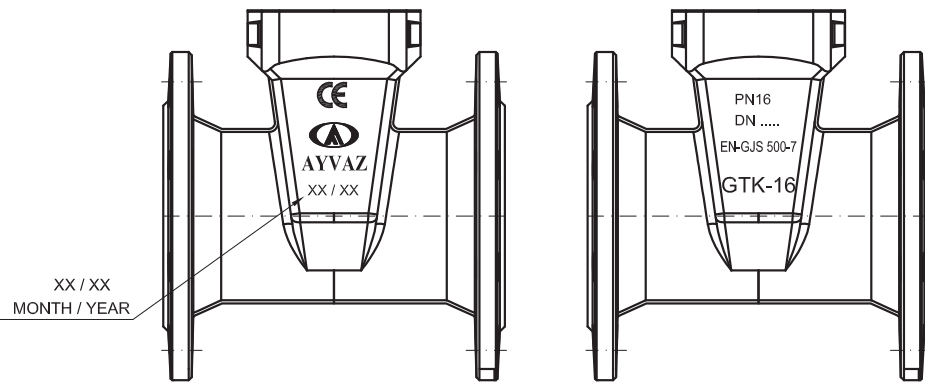
- Shipping Construction
- Petroleum
- Chemicals
- Food
- Pharmacy
- Textile
- Electric Power
- Metallurgy and Energy System

| PRODUCT FEATURES | |
|-------------------------|-------------------------|
| Body | Ductile Iron GGG 40.3 |
| Disc | Rubber Coated Cast Iron |
| Gasket | NBR/EPDM |
| Connection | Flanged |
| Max. Operating Temp. | 80°C |
| Max. Operating Pressure | 16 bar |

GTK-16 NON-RISING STEM, RESILIENT GATE VALVE



| Part No | Part Name | Material |
|---------|-------------------------|-----------------------------------|
| 1 | Body | Ductile Iron GGG 40.3 |
| 2 | Disc | EPDM Coated Ductile Iron GGG 40.3 |
| 3 | Stem Nut | Brass |
| 4 | Bonnet Gasket | NBR |
| 5 | Stem | Stainless Steel |
| 6 | Bonnet | Ductile Iron GGG 40.3 |
| 7 | Holding Ring | Brass |
| 8 | O-Ring | NBR |
| 9 | Gland | Ductile Iron GGG 40.3 |
| 10 | Handwheel | Ductile Iron GGG 40.3 |
| 11 | Bonnet Bolts | SS 410 |
| 12 | Dust Ring | NBR |
| 13 | O-Ring | NBR |
| 14 | Seperated Sets of Nylon | Nylon 66 |
| 15 | O-Ring | NBR |
| 16 | Screw | SS 410 |



FRONT

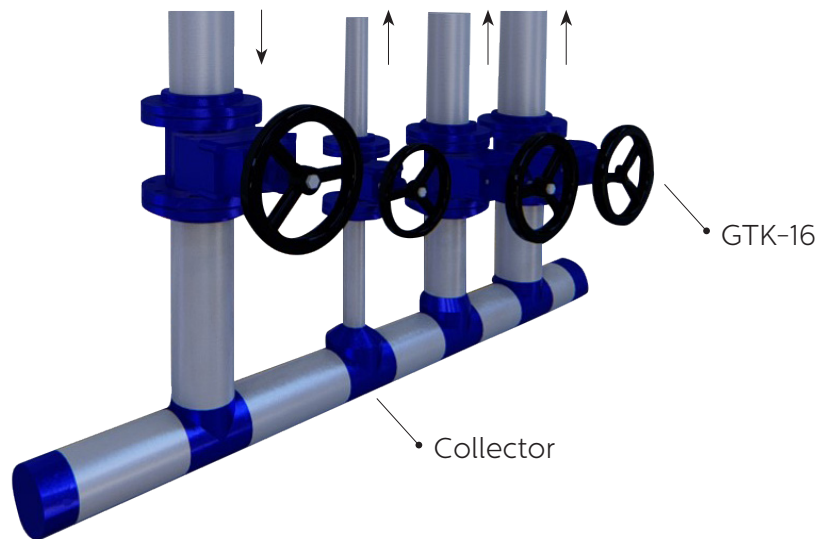
BACK

| DIMENSIONS | | | | | | | | | | | |
|------------|--------------|-----|-----|-----|-----|-----------------------|-----|--------|------|-----|----|
| DN | Outline (mm) | | | | DN | End Flange PN 16 (mm) | | | | | |
| | L | H | M | h1 | | G | K | n-Ød1 | b | D | S |
| 40 | 140 | 175 | 200 | 345 | 40 | 84 | 110 | 4-Ø19 | 19 | 150 | 14 |
| 50 | 150 | 198 | 200 | 350 | 50 | 98 | 125 | 4-Ø19 | 19 | 165 | 14 |
| 65 | 170 | 233 | 254 | 370 | 65 | 118 | 145 | 4-Ø19 | 19 | 185 | 17 |
| 80 | 180 | 250 | 254 | 405 | 80 | 132 | 160 | 4-Ø19 | 19 | 200 | 17 |
| 100 | 190 | 300 | 254 | 411 | 100 | 156 | 180 | 8-Ø19 | 19 | 220 | 19 |
| 125 | 200 | 255 | 315 | 500 | 125 | 184 | 210 | 8-Ø19 | 19 | 250 | 19 |
| 150 | 210 | 378 | 315 | 555 | 150 | 211 | 240 | 8-Ø23 | 19 | 285 | 19 |
| 200 | 230 | 470 | 406 | 650 | 200 | 268 | 295 | 12-Ø23 | 20 | 340 | 24 |
| 250 | 250 | 570 | 500 | 750 | 250 | 320 | 355 | 12-Ø28 | 22 | 405 | 27 |
| 300 | 270 | 650 | 500 | 855 | 300 | 378 | 410 | 12-Ø28 | 24,5 | 460 | 27 |

GTK-16

NON-RISING STEM, RESILIENT GATE VALVE

3D INSTALLATION SAMPLE



HEAD OFFICE - FACTORY

Atatürk Sanayi Bölgesi Hadımköy Mahallesi Mustafa İnan Caddesi No: 44 Arnavutköy - İSTANBUL
Tel: +90 212 771 01 45 (pbx) | Fax: +90 212 771 47 27
info@ayvaz.com | www.ayvaz.com

Cona
Caserta/Italy
Tel: +39 0823 187 3988
rmolaro@ayvaz.com

Ayvaz Russia
Moscow/Russia
Tel: +7 9254070230
eakinci@ayvaz.com

Ayvaz Germany
Viernheim/Germany
Tel: +49 62046014399
germany@ayvaz.com

Ayvaz Ukraine
Kiev/Ukraine
Tel: +380 44 390 57 57
info@ayvaz.com.ua

Tricorr
Warsaw/Poland
Tel: +48-32-783-295-1
tricorr@tricorr.eu

Ayvaz Baku
Baku/Azerbaijan
Tel: +99(455) 579-84-32
ahayatov@ayvaz.com

Haci Ayvaz M.E.
Dubai/U.A.E
Tel: +971 544431048
+971 501306871
mideast@ayvaz.com

Ayvaz China
Jinan/China
Tel: +86 0574 5897 3851
info@ayvazchina.com

Ayvaz Kazakhstan LLP
Almaty/Kazakhstan
Tel: +7 (727) 327 97 57
info_kz@ayvaz.com
www.ayvaz.kz

Ayvaz N
Isperih/Bulgaria
Tel: +359 8431 27 32
office@ayvaz-n.eu

Ayvaz Serbia
Belgrade/Serbia
Tel: +381 61 658 70 52
yakbiyik@ayvaz.com

Ayvaz Vietnam
HCMC/Vietnam
ggursoy@ayvaz.com
Tel: +84 89 8508345